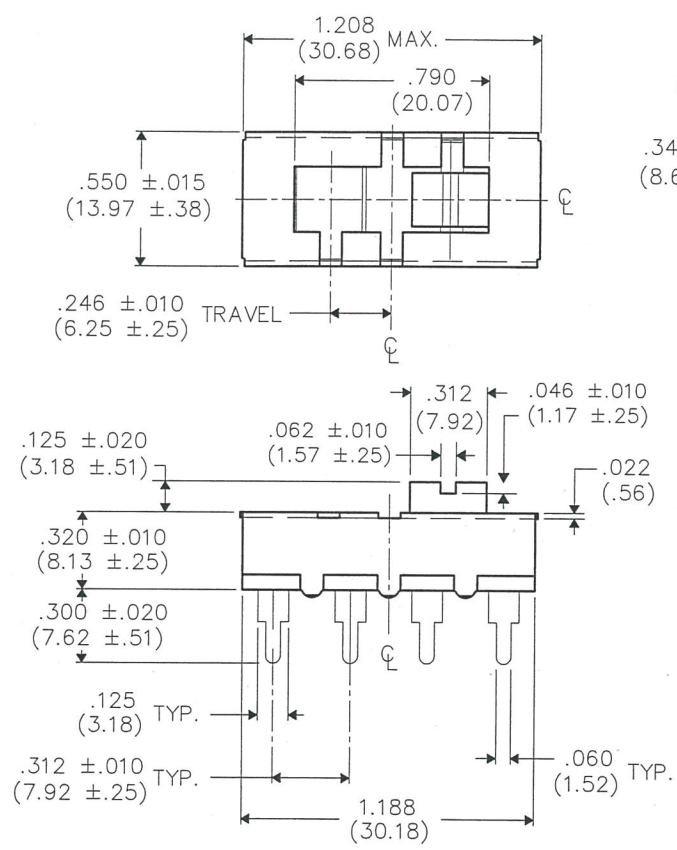


THIS INFORMATION IS CONFIDENTIAL AND PROPRIETARY TO CW INDUSTRIES INCORPORATED AND ITS AFFILIATES. IT MAY NOT BE DISCLOSED TO ANYONE OTHER THAN CW INDUSTRIES INCORPORATED, SOUTHAMPTON, PENNSYLVANIA USA.

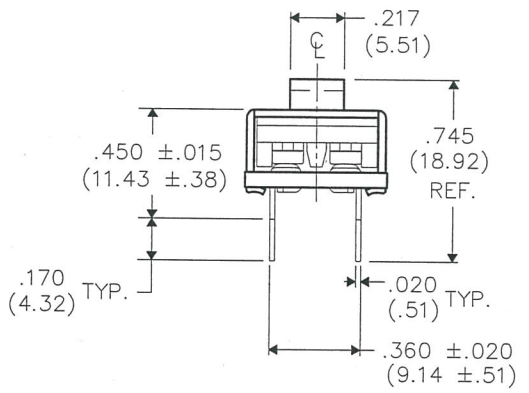
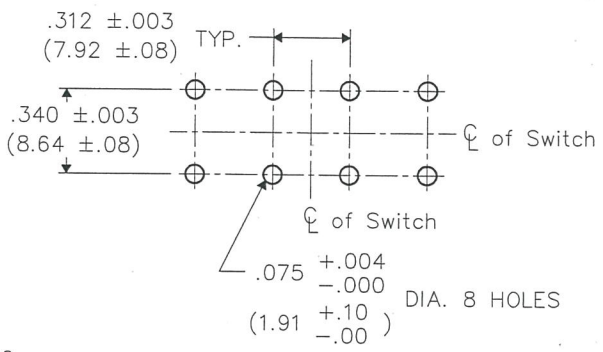
DIMENSIONS IN INCHES (MILLIMETERS)
DO NOT SCALE DRAWING

Dwg. No.
G-1328S-0041

E
D
C
B
A



P.C. LAYOUT



1 2 3 4 5 6 7 8 9 10

B-FORMAT 2002	REVISIONS	0	
		RELEASED: DGW	1-18-2016 JAN 25 2016

PDF MADE	CW INDUSTRIES Southampton, Pa. 18966		Title: SLIDE SWITCH ASSEMBLY D.P. - 3 POS.
	TOLERANCES UNLESS OTHERWISE SPECIFIED		
	2 Place Decimal ±.010	METRIC	
	3 Place Decimal ±.005	1 Place Dec. ±.25mm	
	Angles ±1°	2 Place Dec. ±.13mm	
	Made for: CW IND.		Division: SWITCH
	Drawn by: DGW	1-18-2016	Dwg. No. G-1328S-0041
	Checked by: <i>G. GOLD 1-21-16</i>		
	Approval: <i>G. GOLD 1-21-16</i>		

MASTER